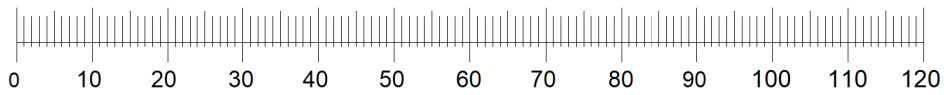
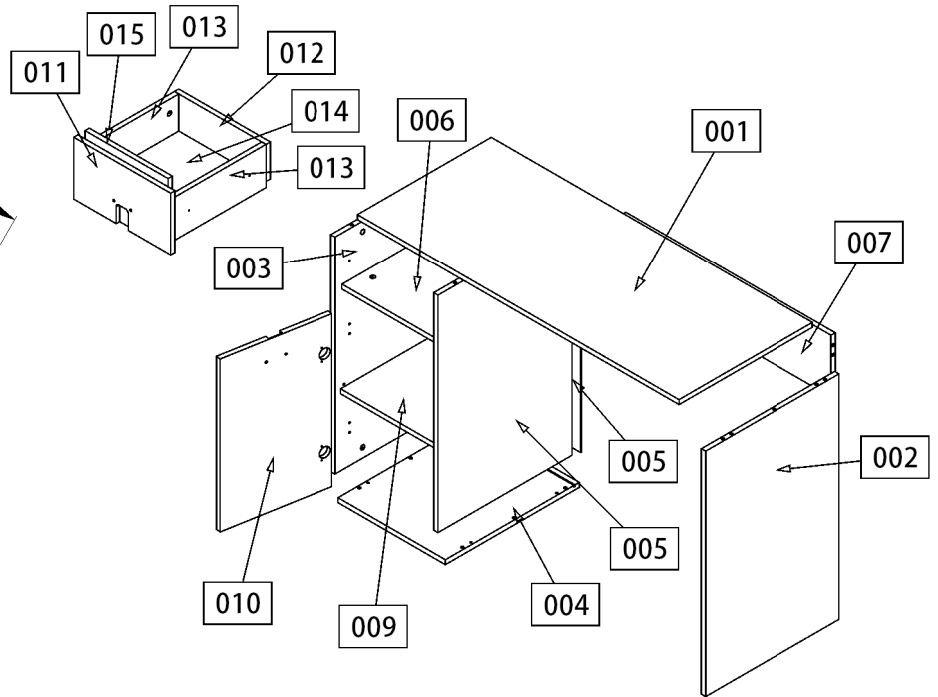
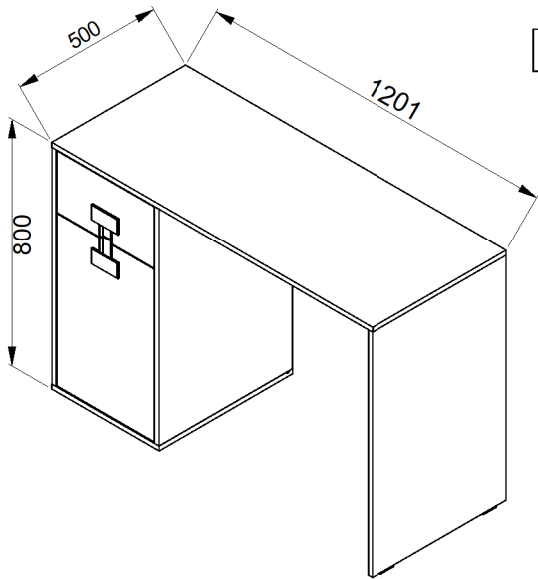
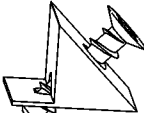


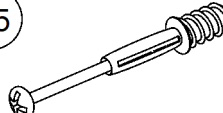
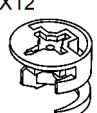
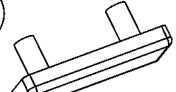
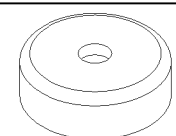
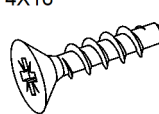
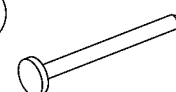
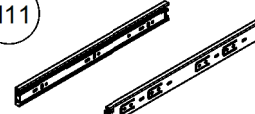
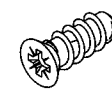
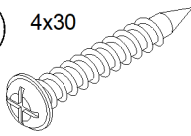
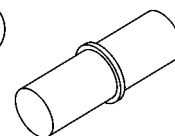
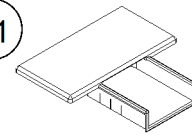
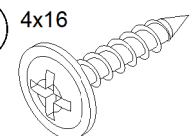
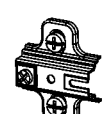
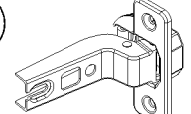
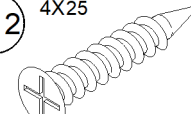


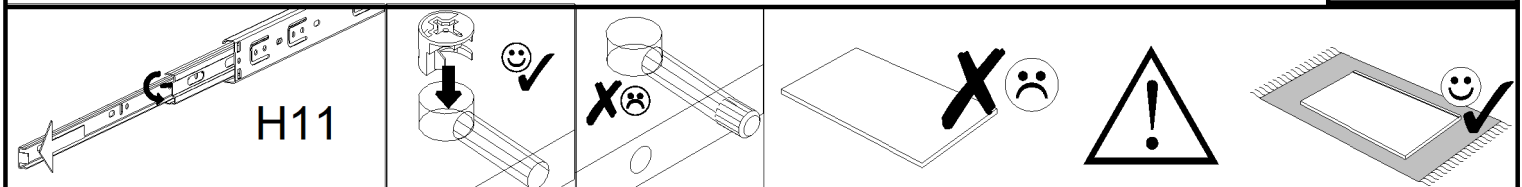
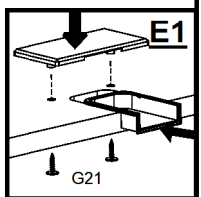
INDEX 10



BIURKO 120

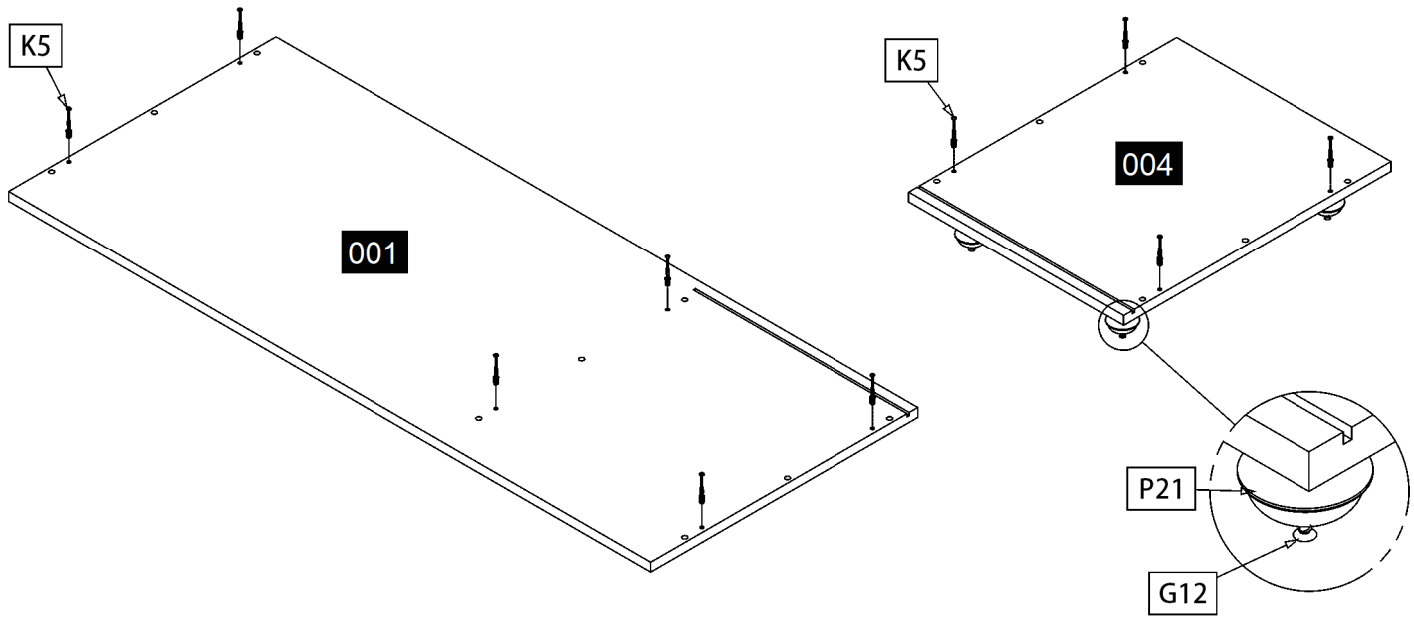


I1  x10	B7 Ø8X30  x33	K1z  x22	K5  x22	K1 Ø15X12  x22
P3  x2	P21  x4	G4 4X16  x8	W4  x12	H11  x1
G20 5X13  x8	G8 4X30  x2	F2  x4	E1  x2	G21 4X16  x2
D1  x2	C2  x2	G12 4X25  x6		



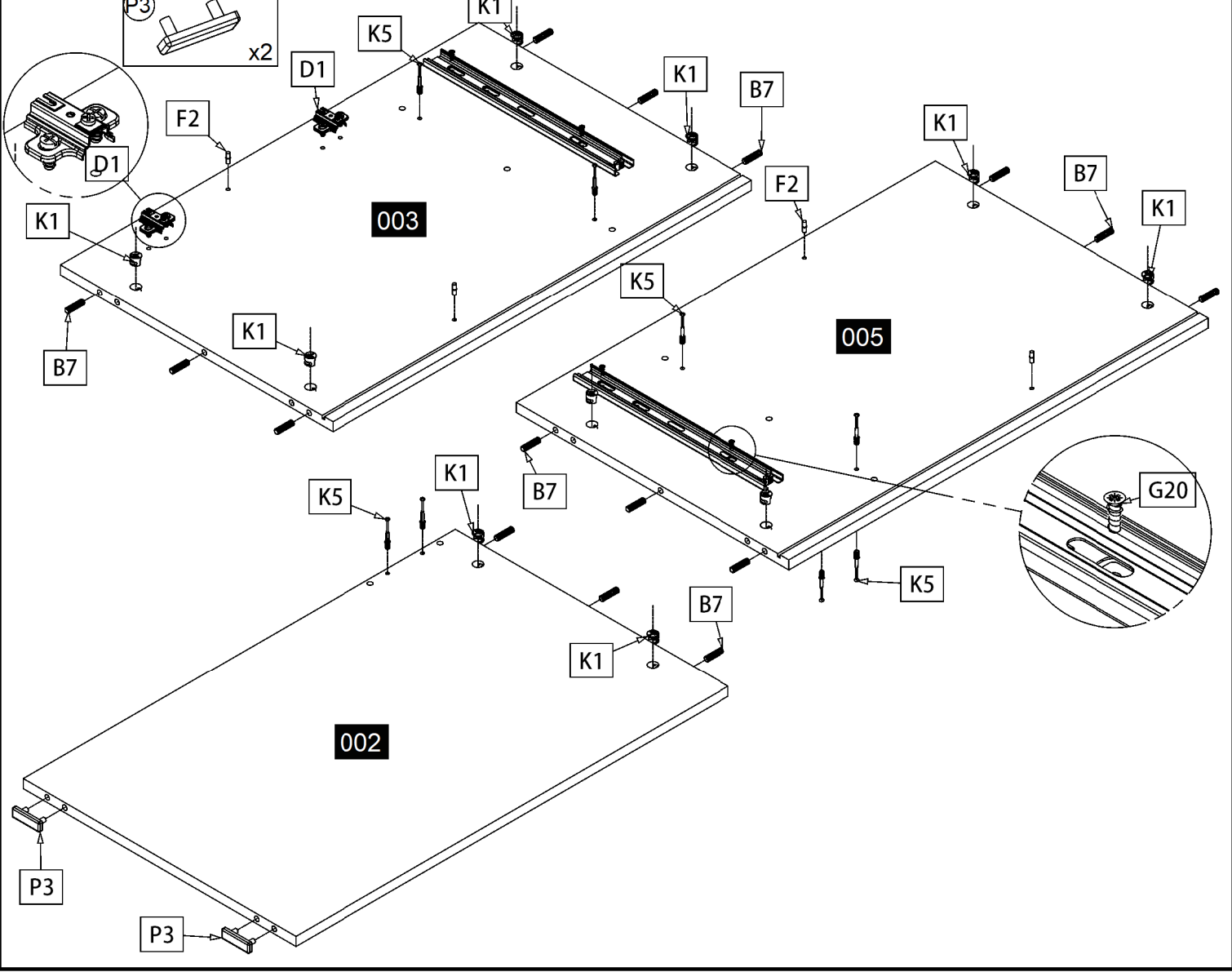
01

- K5** x10
- P21** x4
- G12** 4X25 x4

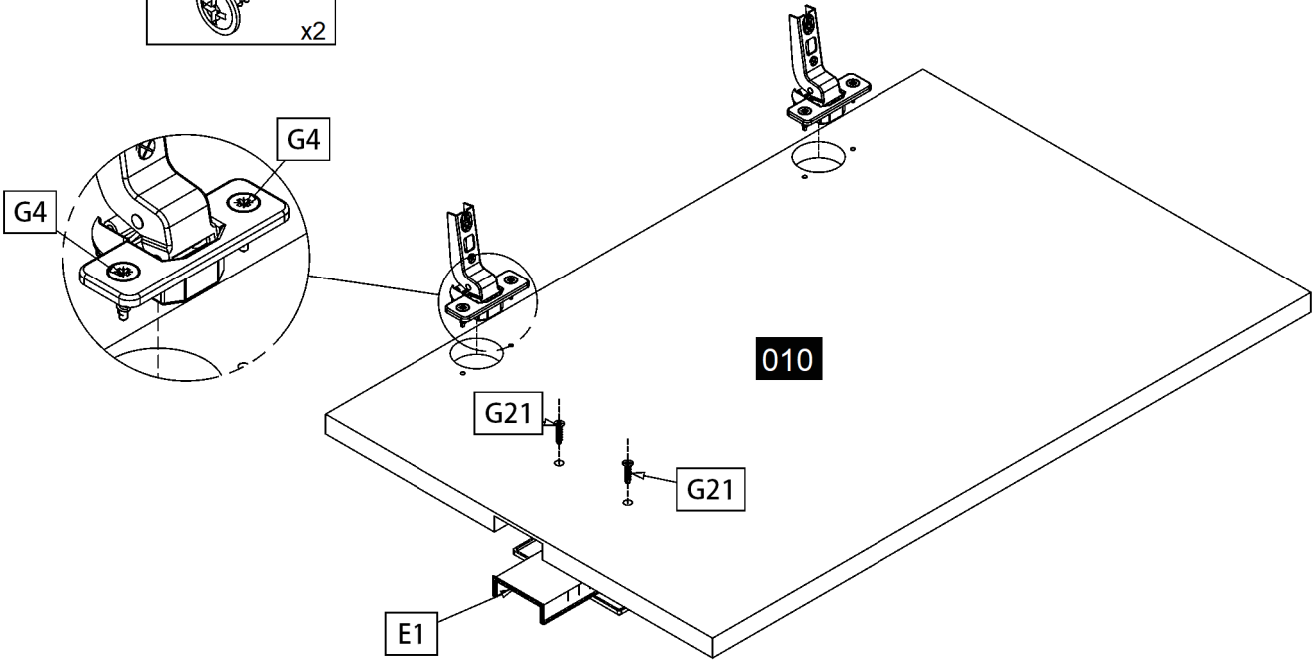
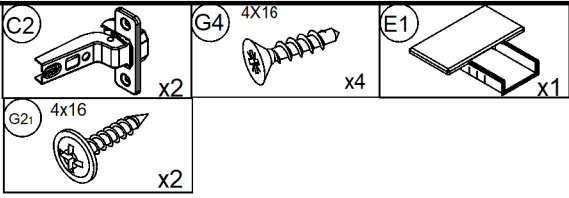


02

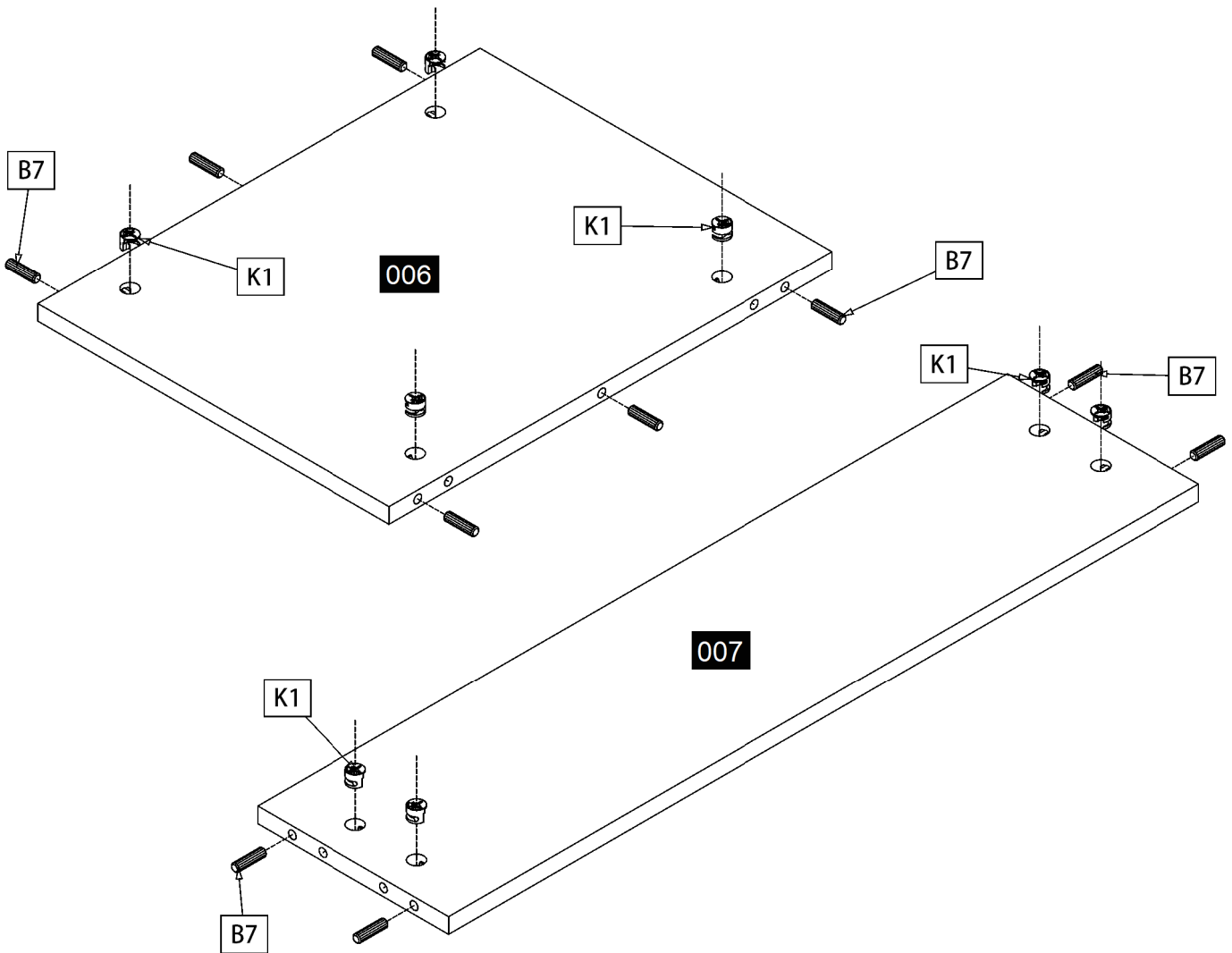
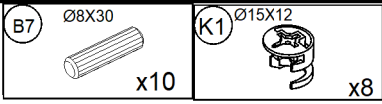
- F2** x4
- D1** x2
- K1** Ø15X12 x10
- H11** x1
- B7** Ø8X30 x15
- G20** 5X13 x4
- K5** x4
- P3** x2



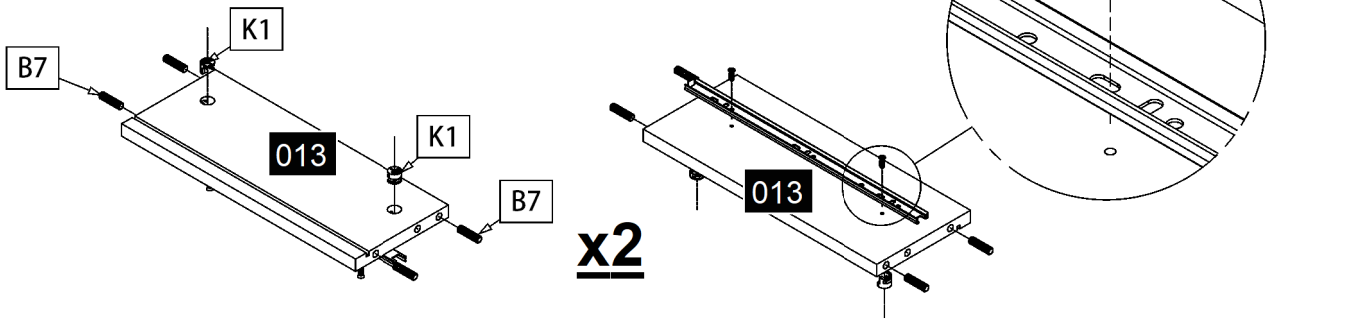
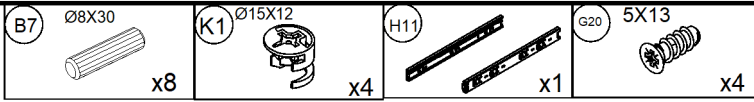
03



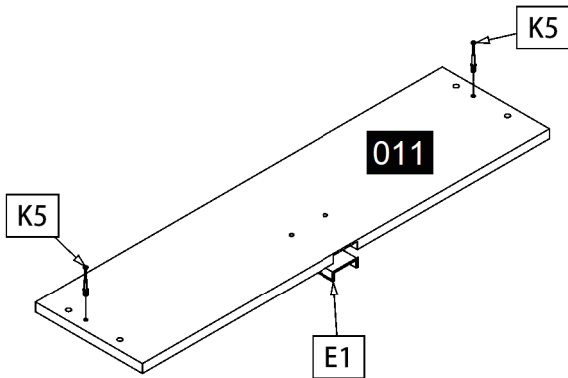
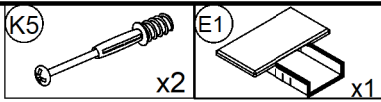
04



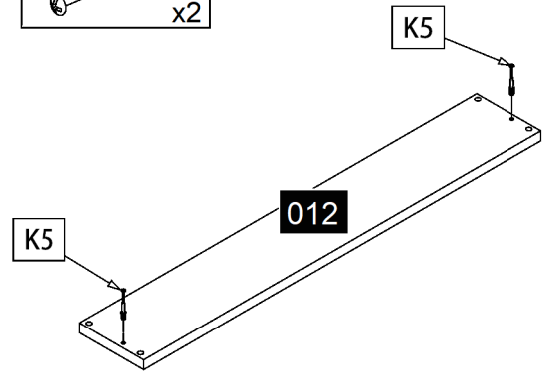
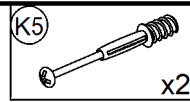
05



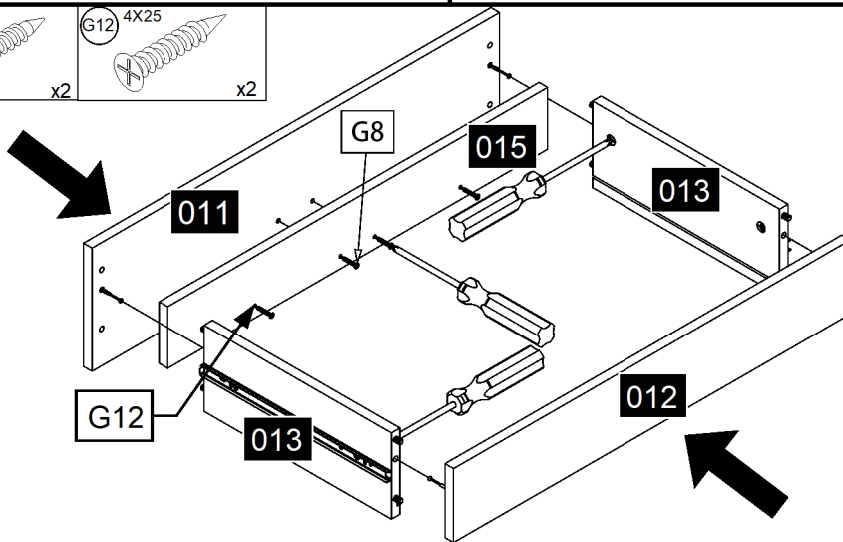
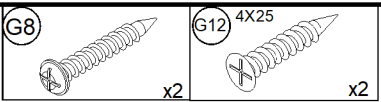
06



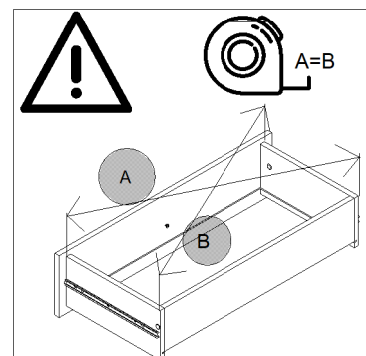
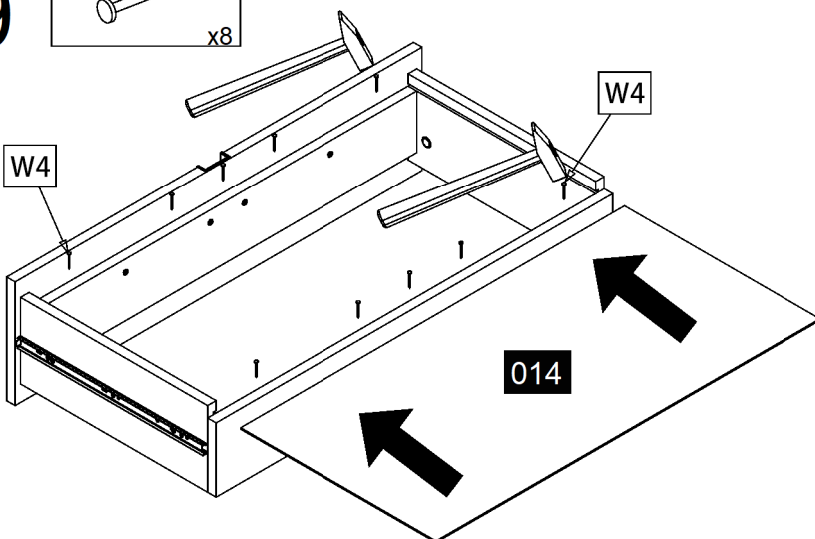
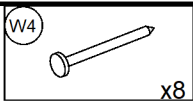
07



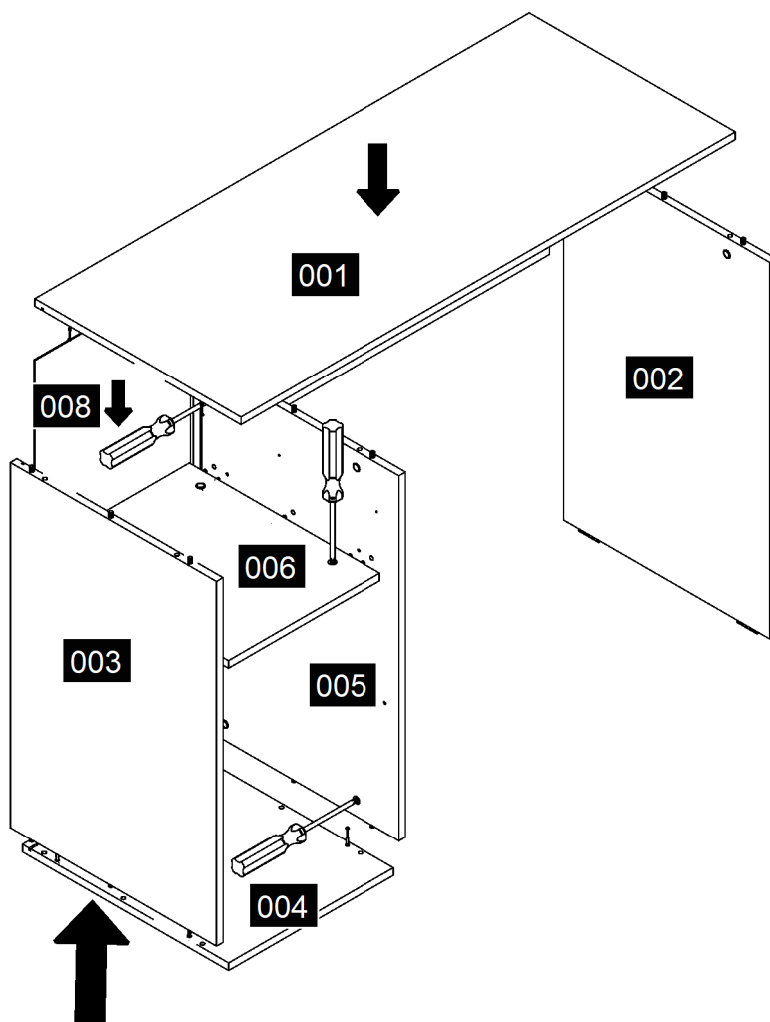
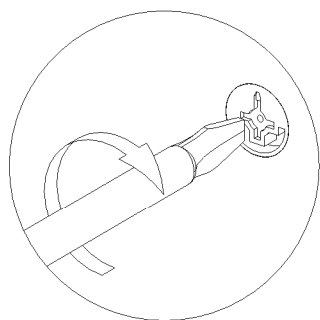
08



09



10



11

