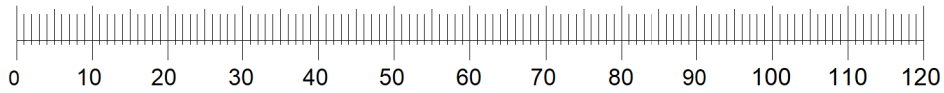
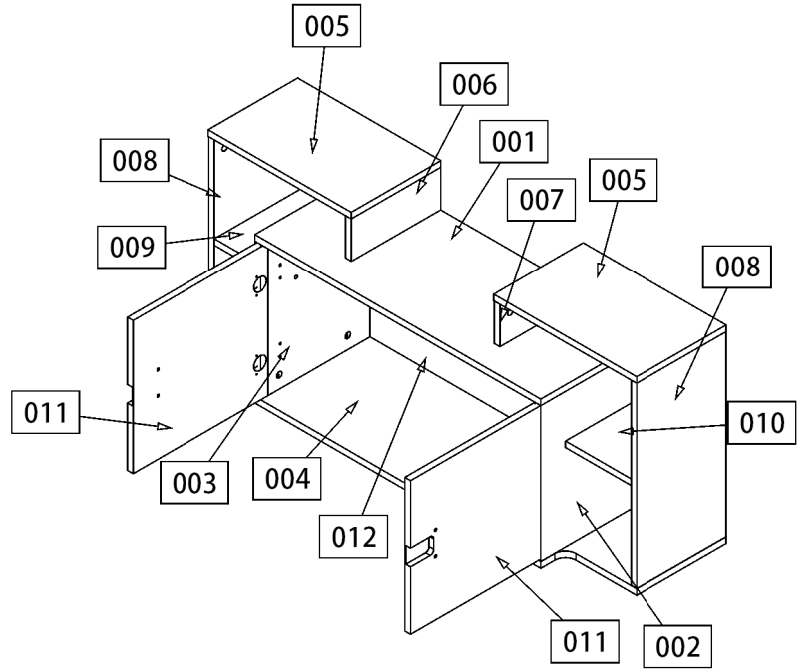
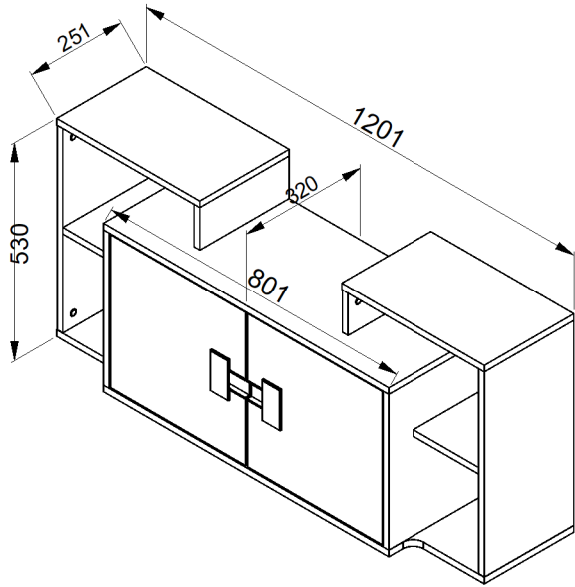


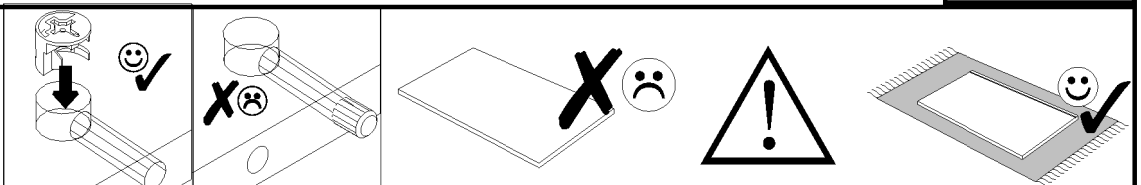
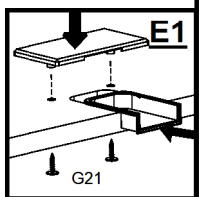
INDEX 12



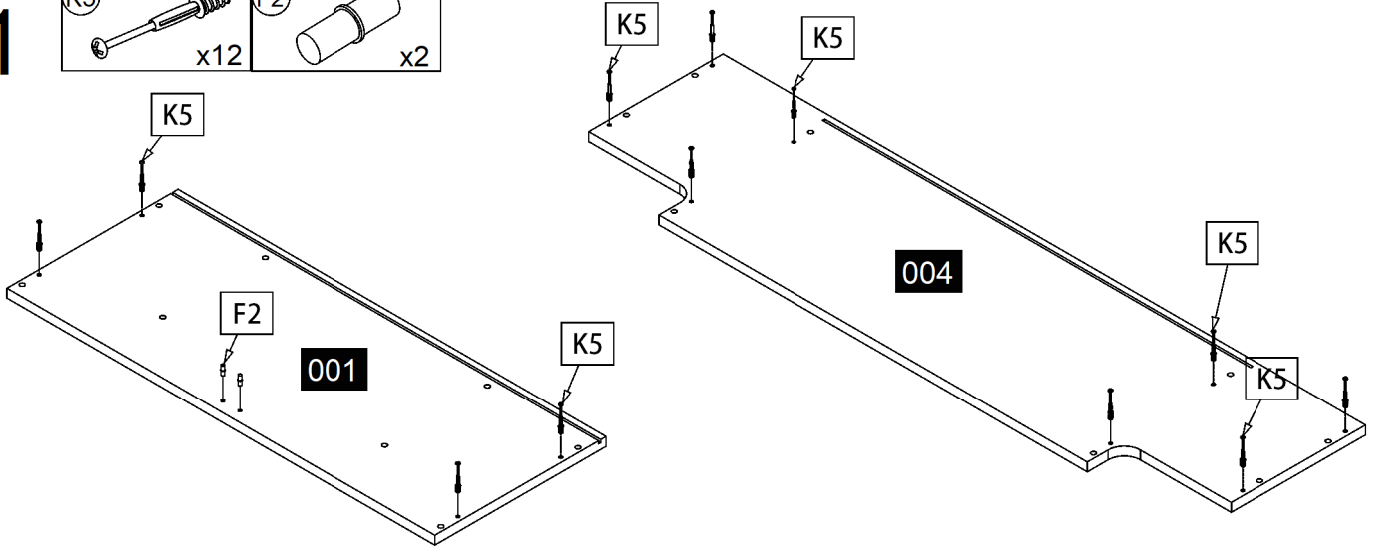
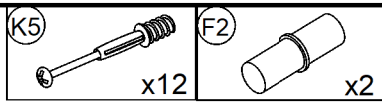
PÓŁKA ZAM.



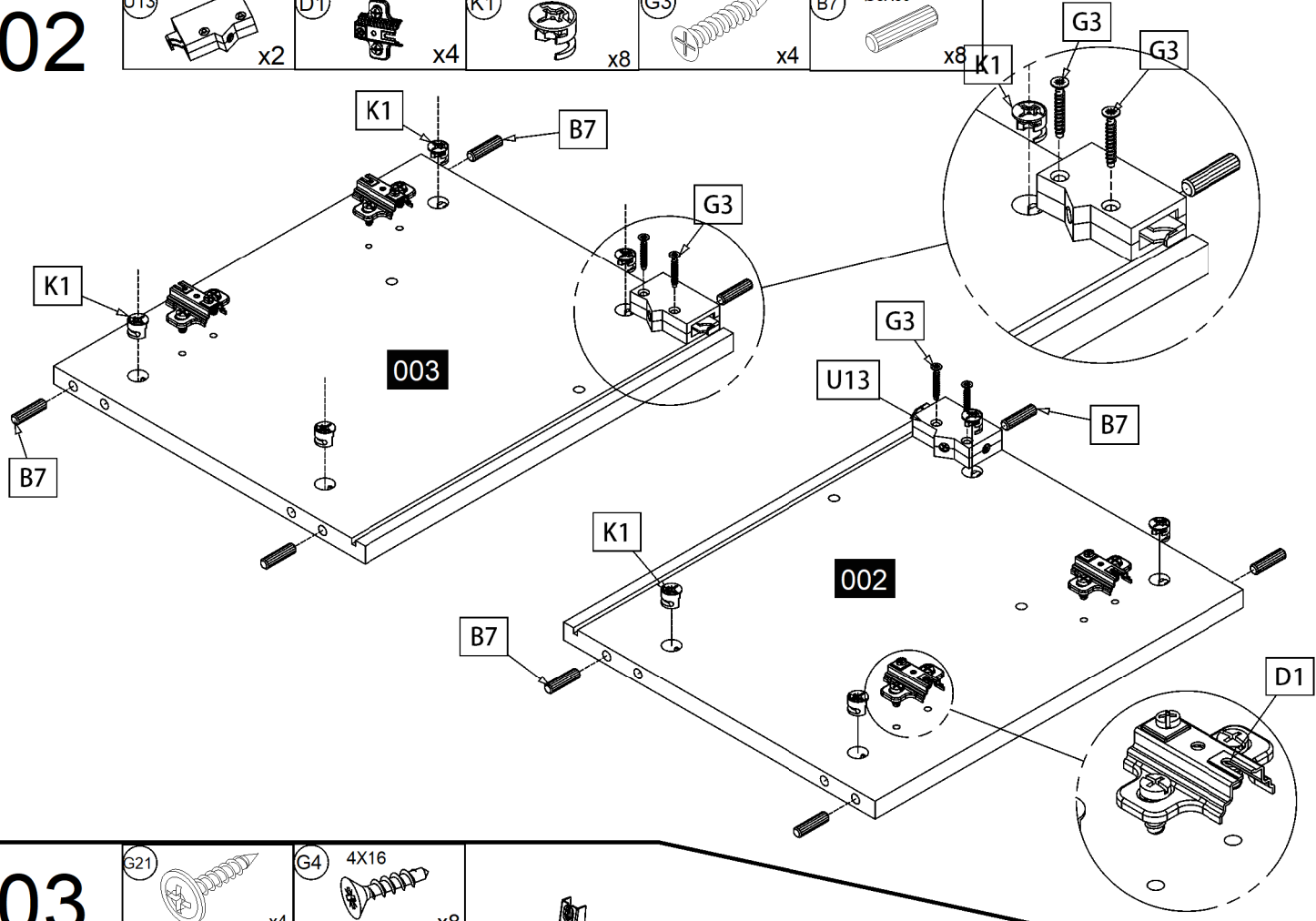
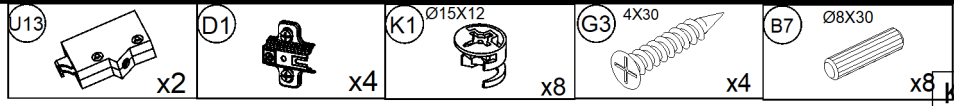
 x10	 x32	 x24	 x24	 x24
 x8	 x8	 x8	 x2	 x4
 x2	 x4	 x2	 x4	 x4
 x1				



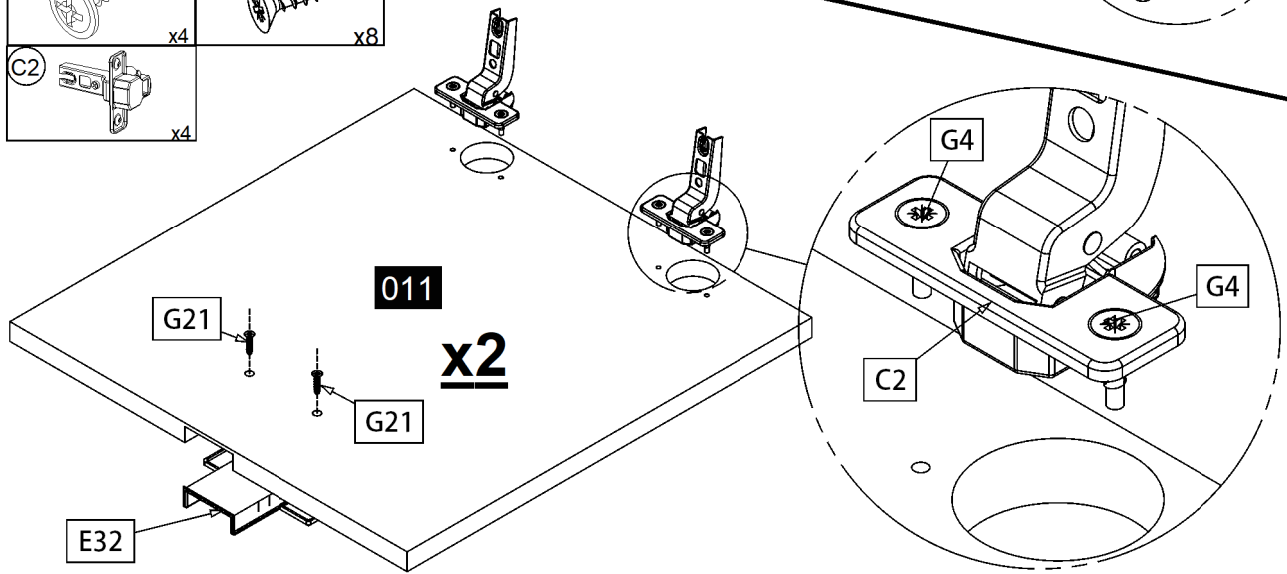
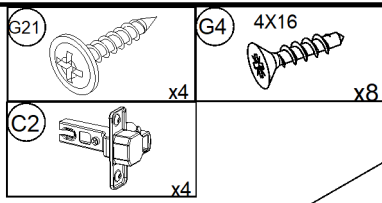
01



02

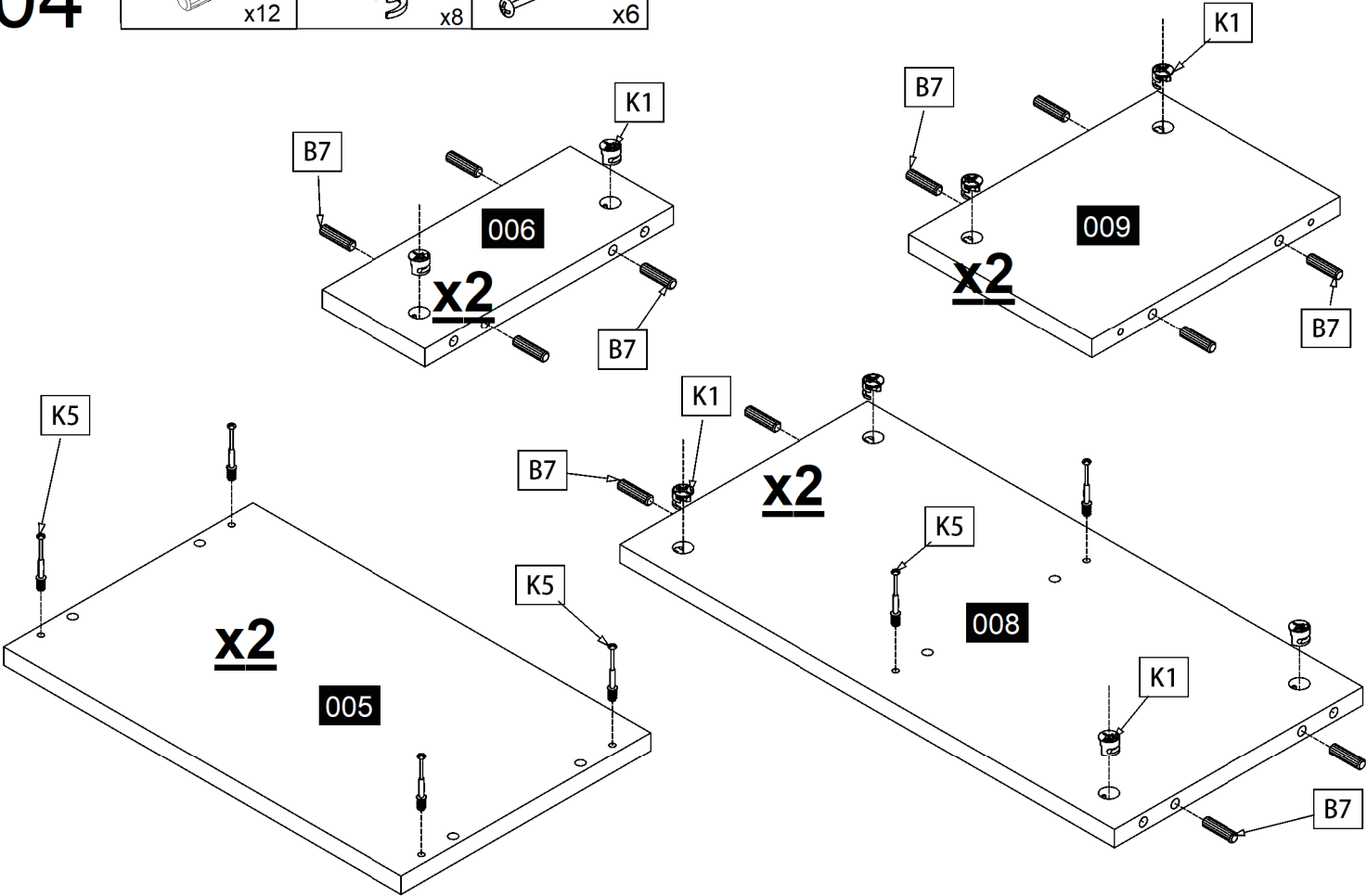


03

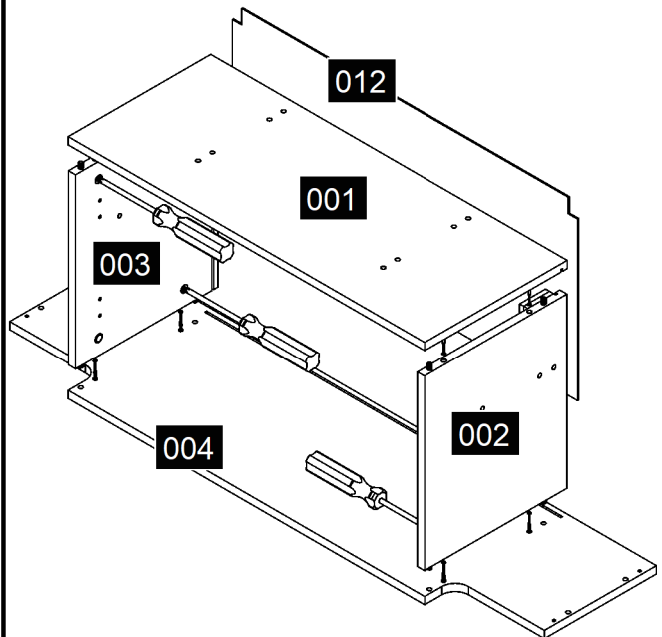
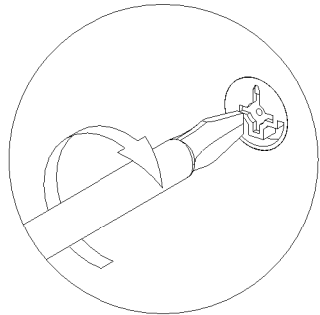


04

- B7 $\varnothing 8 \times 30$ x12
- K1 $\varnothing 15 \times 12$ x8
- K5 x6

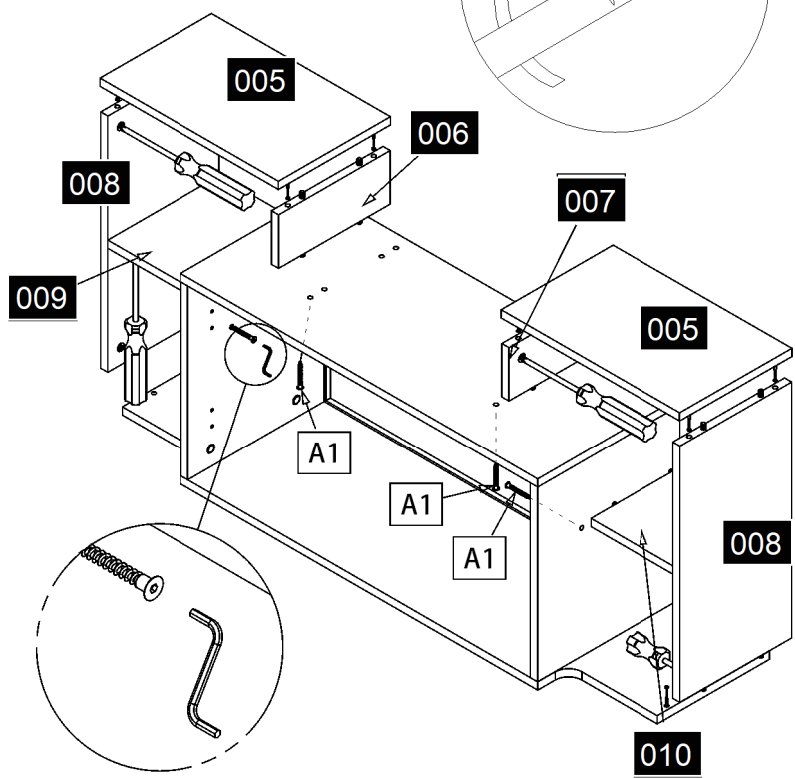
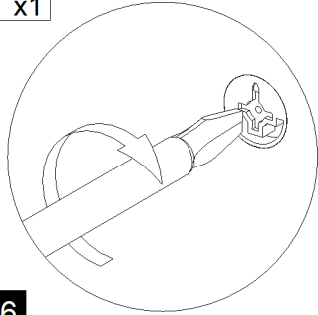


05

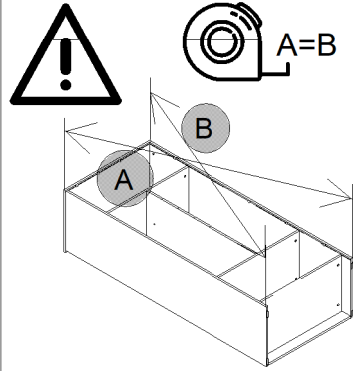
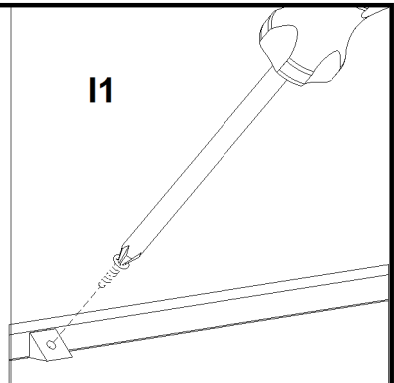
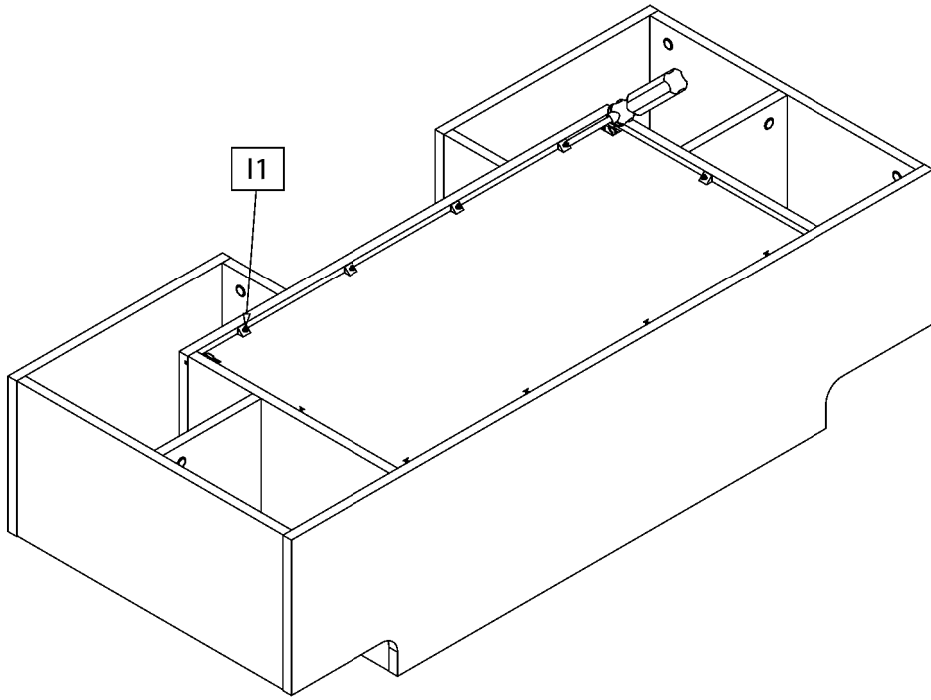


06

- A1 x8
- W2 x1



07



08

