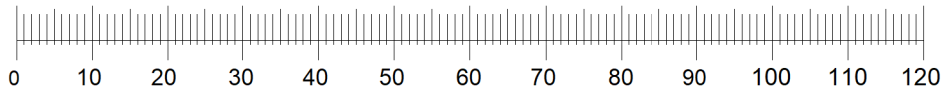
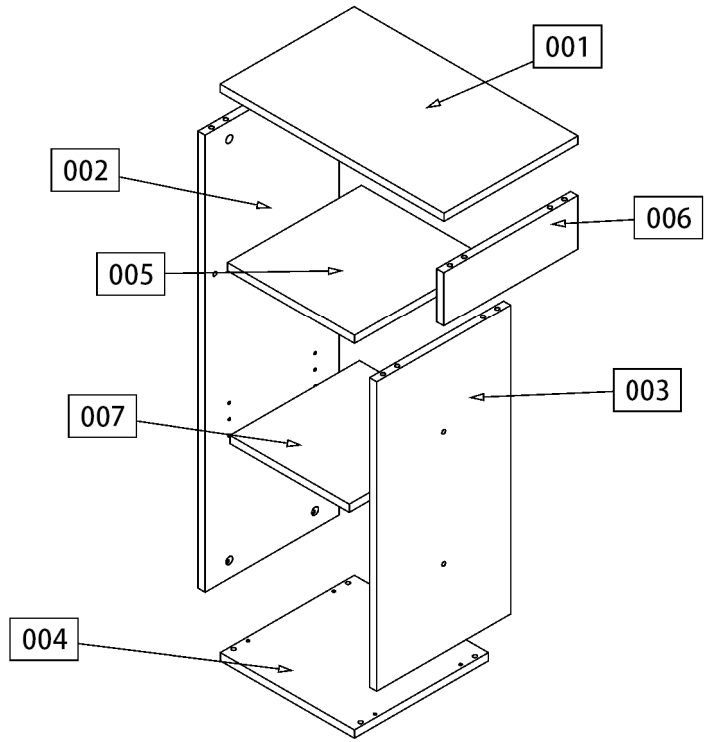
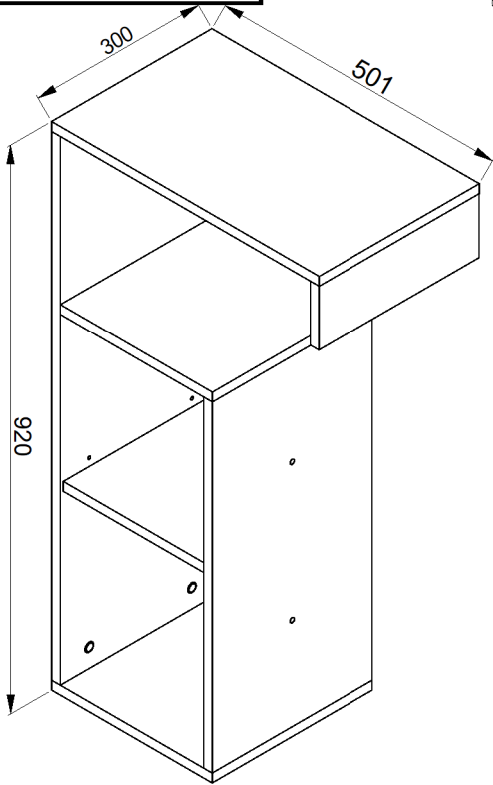
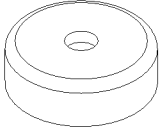
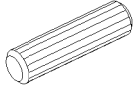

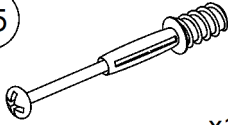

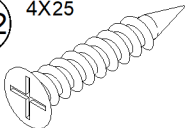
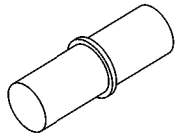
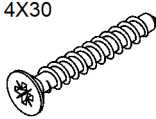
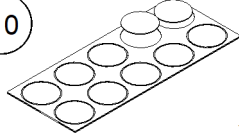


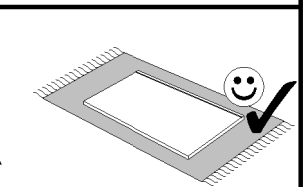
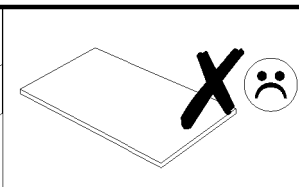
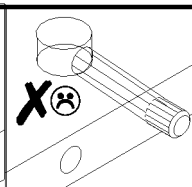
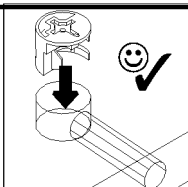
INDEX 18



DOST. BIUR.

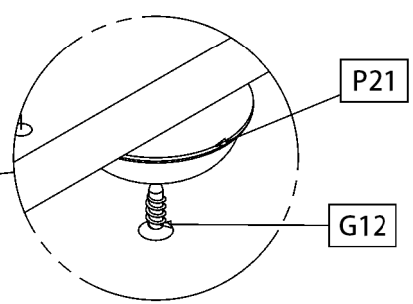
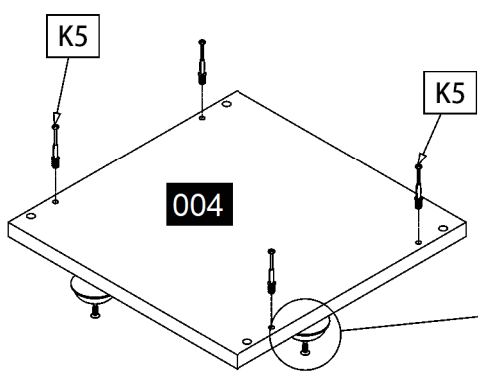
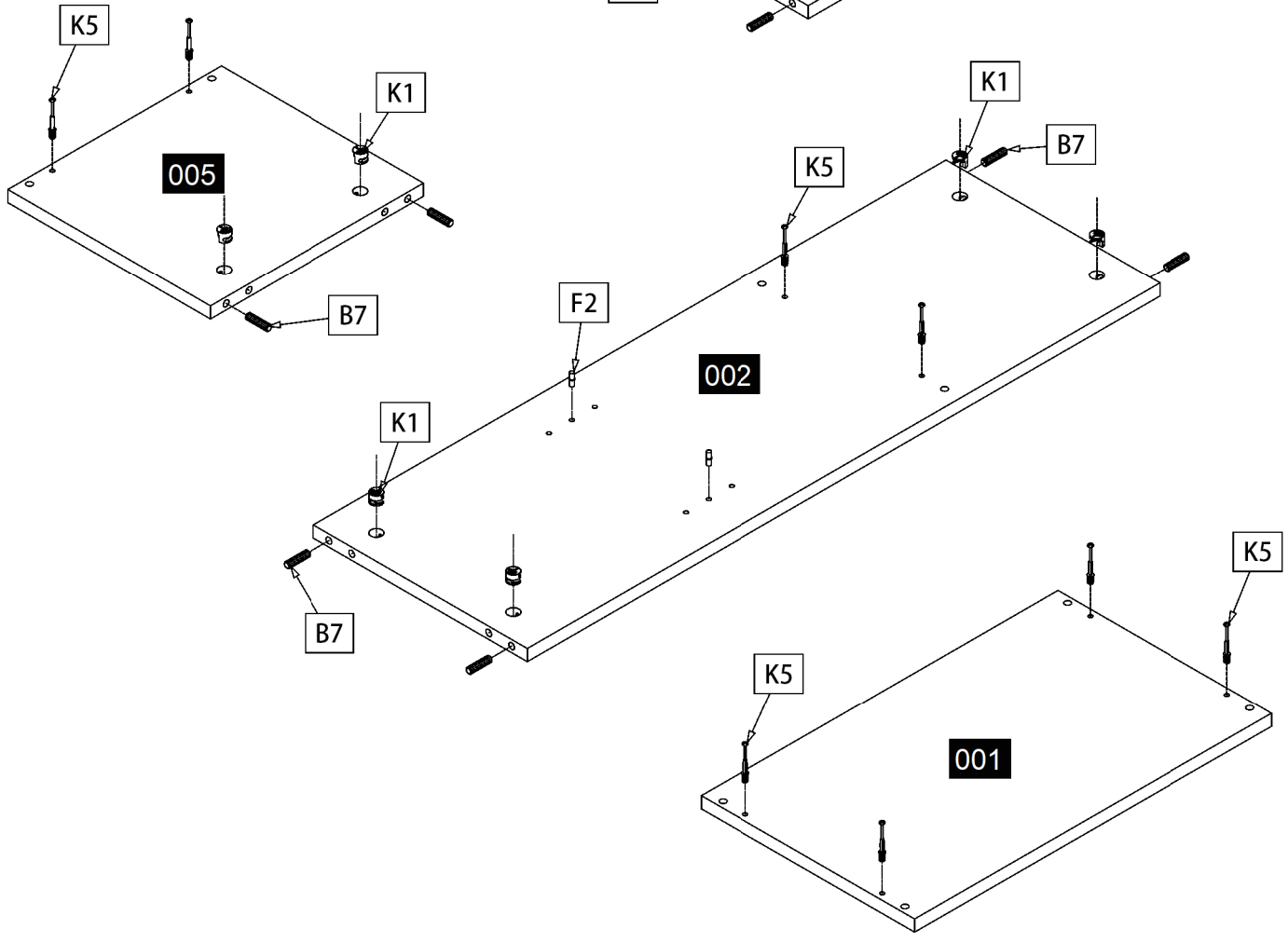
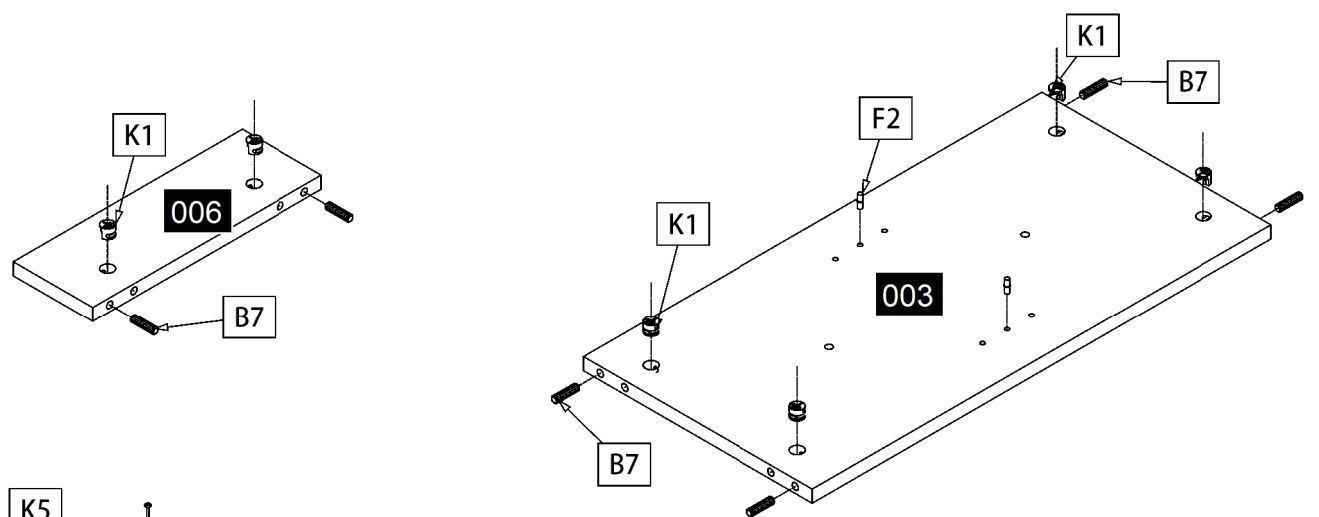


 P21 x3	 B7 Ø8X30 x12	 K1z x12	 K5 x12	 K1 Ø15X12 x12
 G12 4X25 x3	 F2 x4	 G3 4X30 x2	 I10 x2	

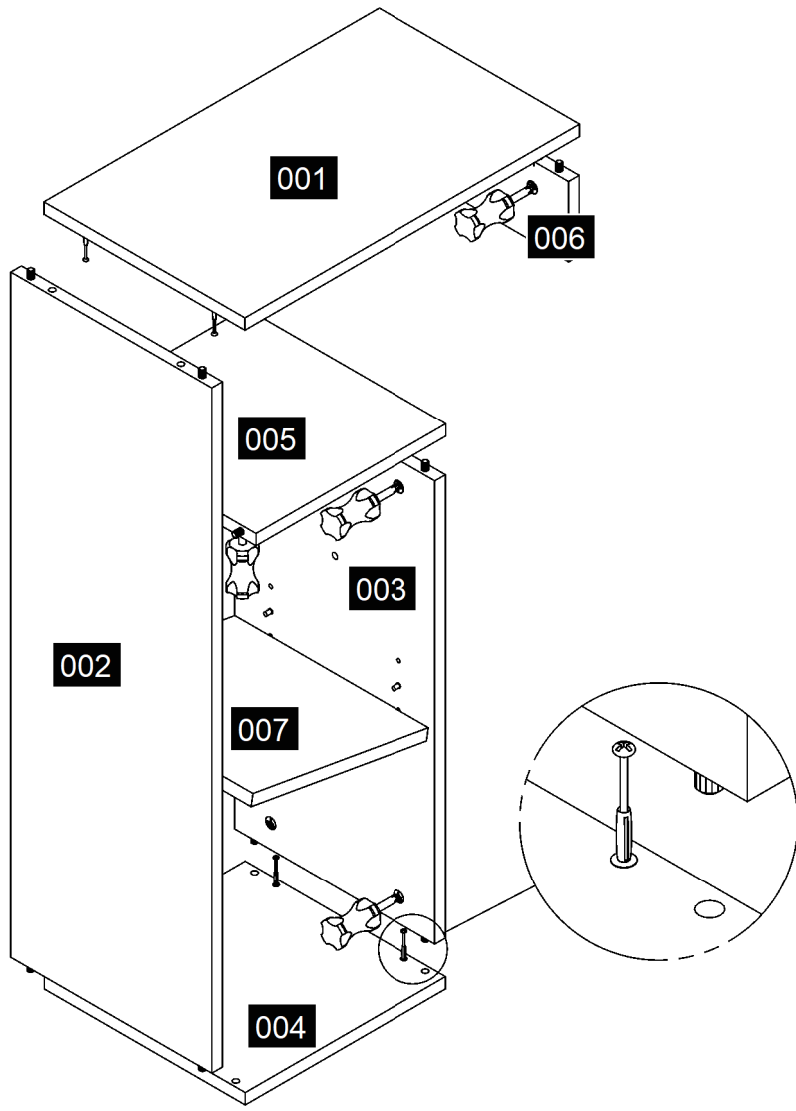


01

- G12 4X25 x3
- B7 Ø8X30 x12
- K5 x12
- K1 Ø15X12 x12
- F2 x4
- P21 x0



2



3

