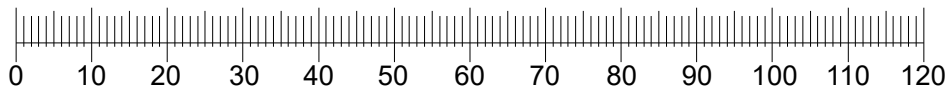
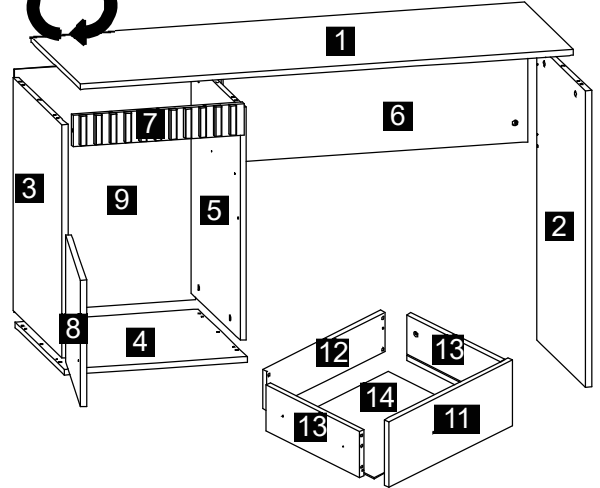
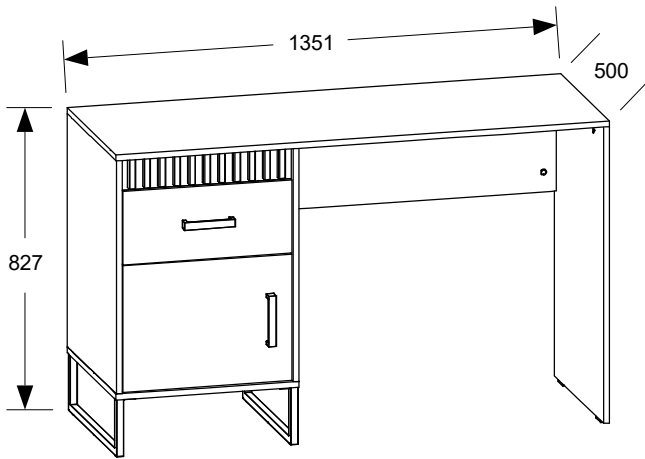
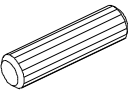

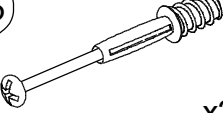
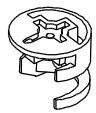
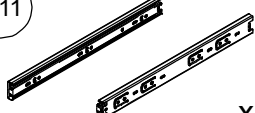
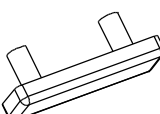

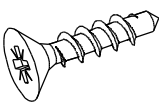
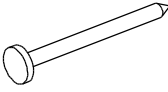
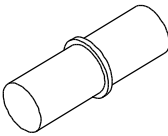
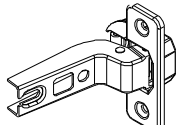
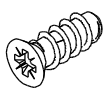
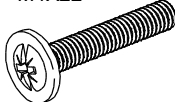
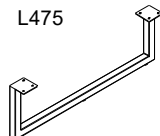
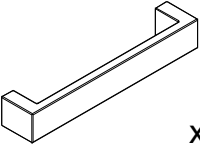


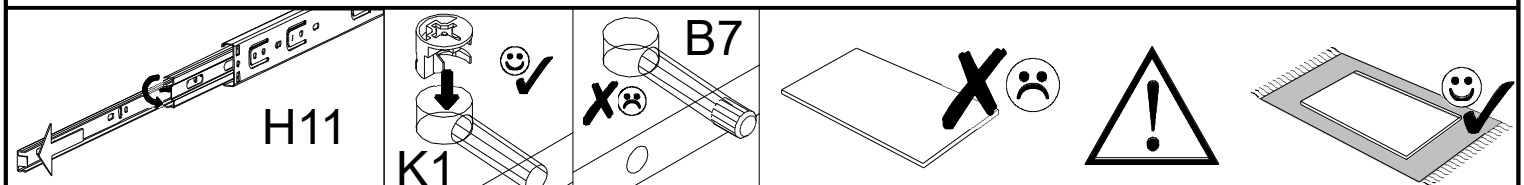
09




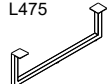
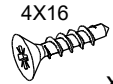
BIURKO

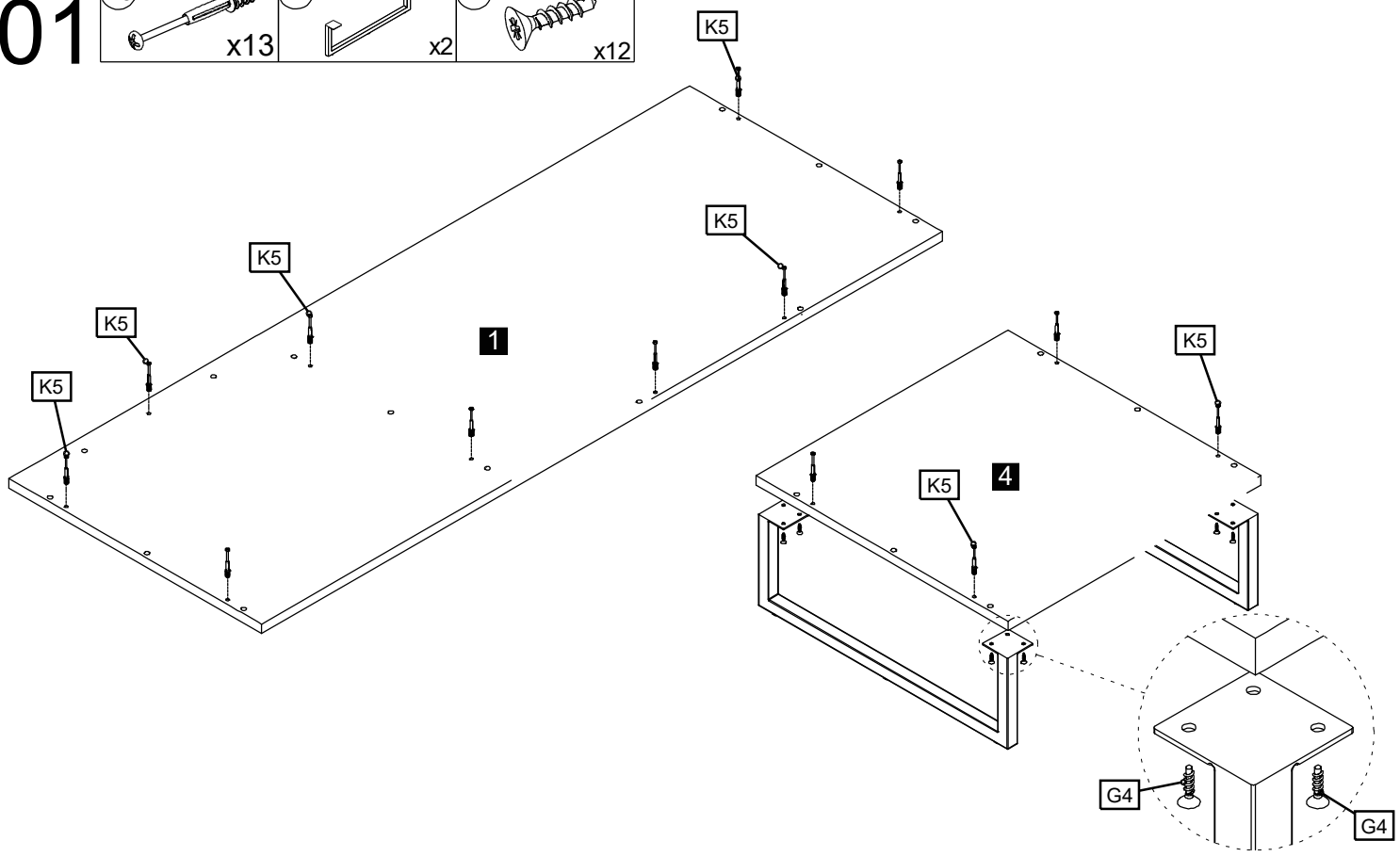


<b>B7</b> Ø8X30  x33	<b>K1z</b>  x21	<b>K5</b>  x21	<b>K1</b> Ø15X12  x21	<b>H11</b>  x1
<b>P3</b>  x2	<b>D1</b>  x2	<b>G4</b> 4X16  x16	<b>W4</b>  x26	<b>F2</b>  x1
<b>C2</b>  x2	<b>G20</b> 5X13  x8	<b>N14</b> M4X22  x4	<b>P5</b> L475  x2	<b>E3</b>  x2

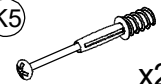
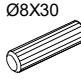




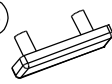


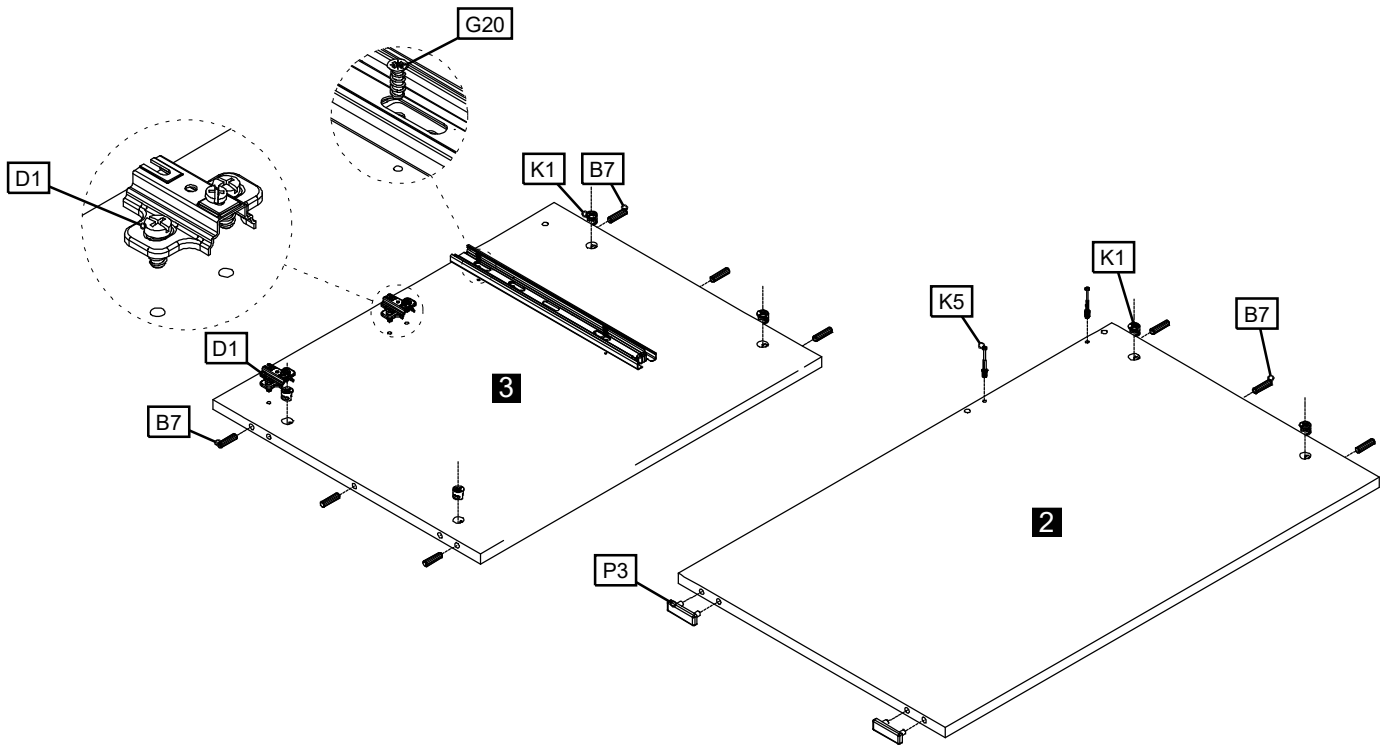
# 01

- K5**  x13
- P5**  L475 x2
- G4**  4X16 x12



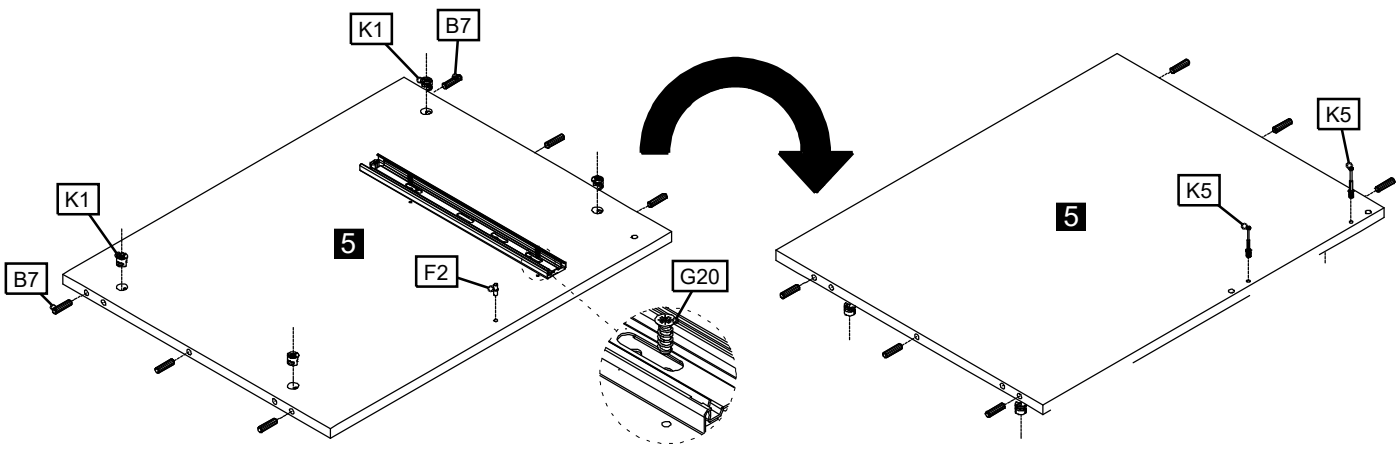
# 02

- K5**  x2
- B7**  Ø8X30 x9
- K1**  Ø15X12 x6
- D1**  x2
- G20**  5X13 x2
- H11**  x1
- P3**  x2



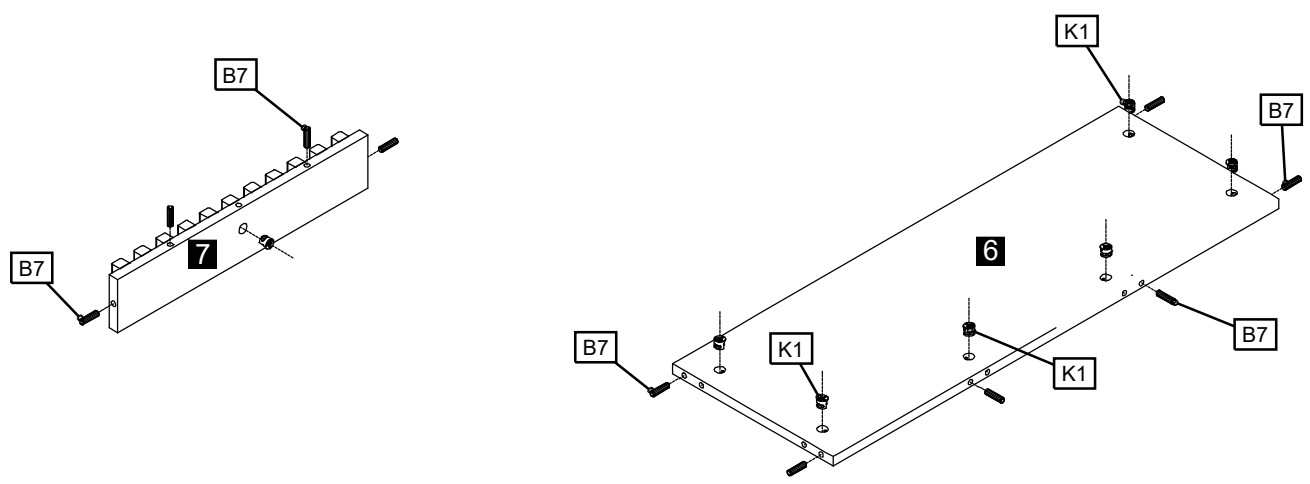
# 03

- (K5) x2
- (B7) Ø8X30 x6
- (K1) Ø15X12 x4
- (F2) x1
- (H11) x1
- (G20) 5X13 x2



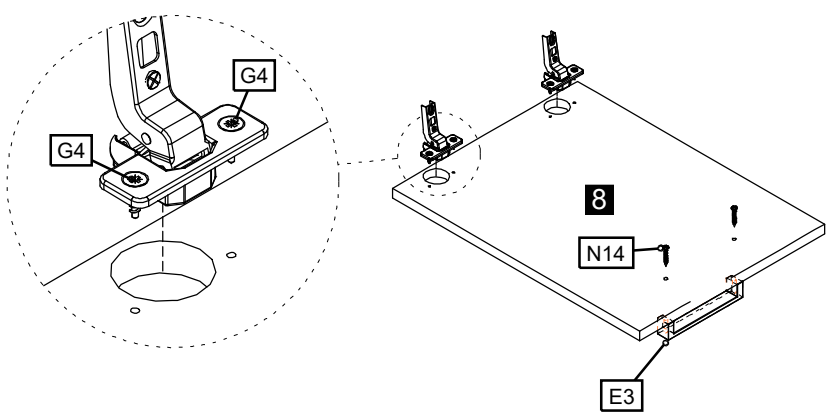
# 04

- (B7) Ø8X30 x10
- (K1) Ø15X12 x7



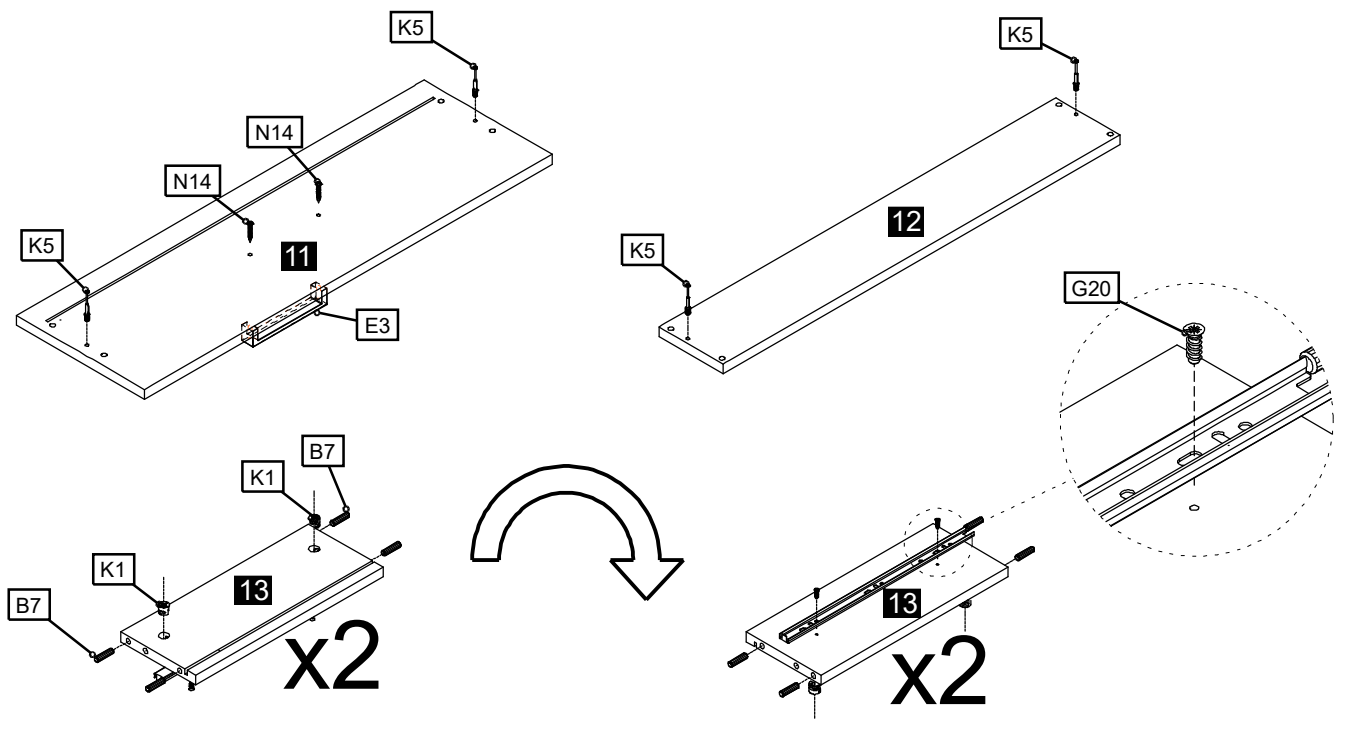
# 05

- (C2) x2
- (G4) 4X16 x4
- (N14) M4X22 x2
- (E3) x1



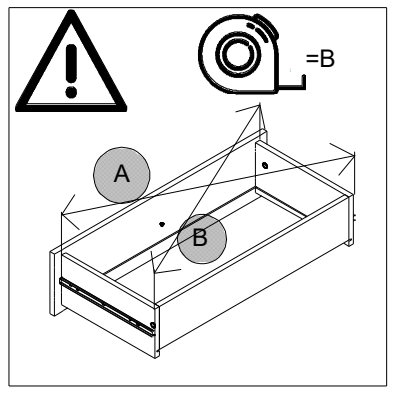
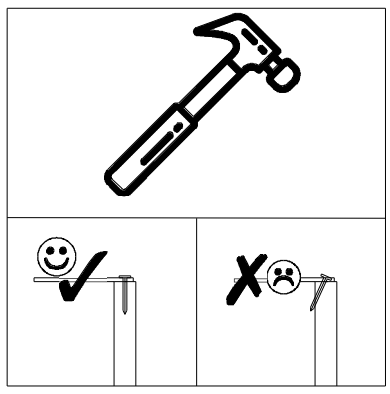
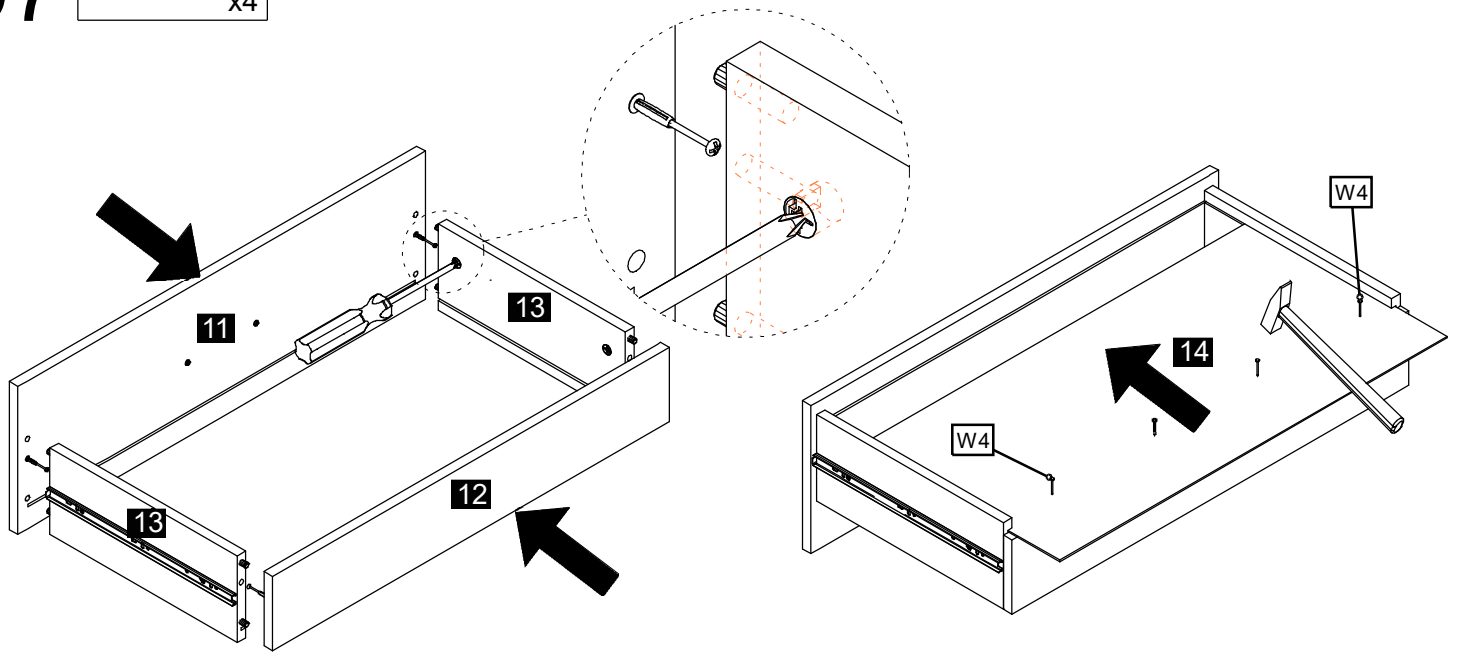
# 06

- N14 M4x22 x2
- K5 x4
- K1 Ø15x12 x4
- B7 Ø8x30 x8
- G20 5x13 x4
- H11 x1
- E3 x1

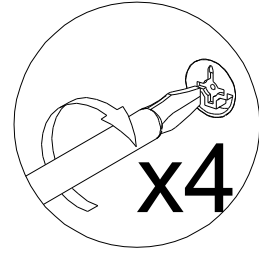
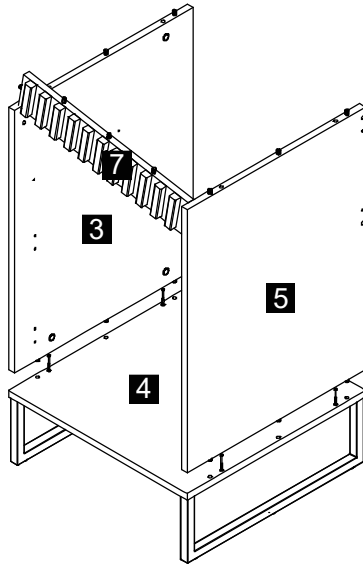


# 07

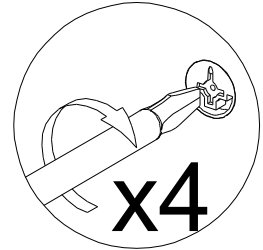
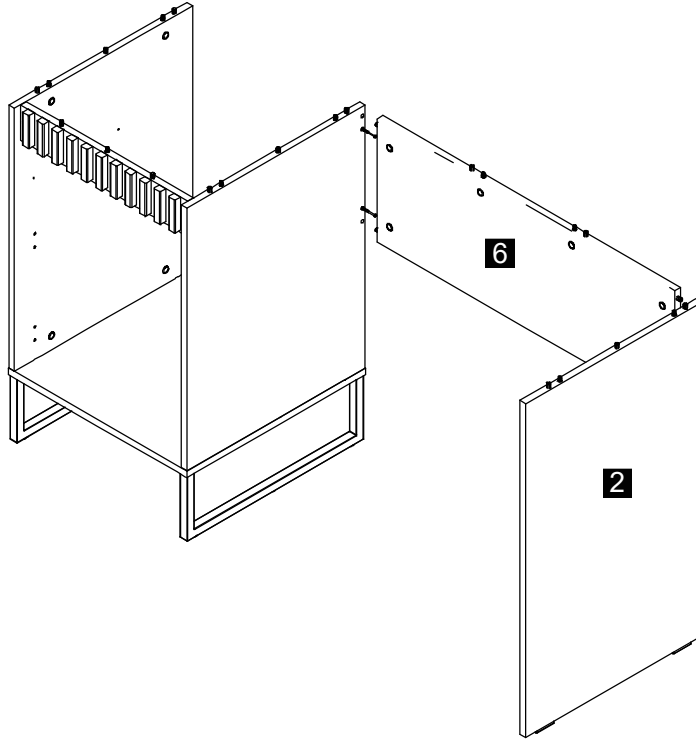
- W4 x4



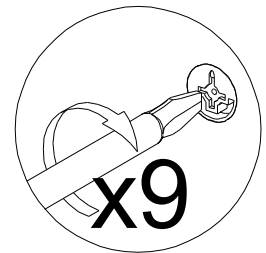
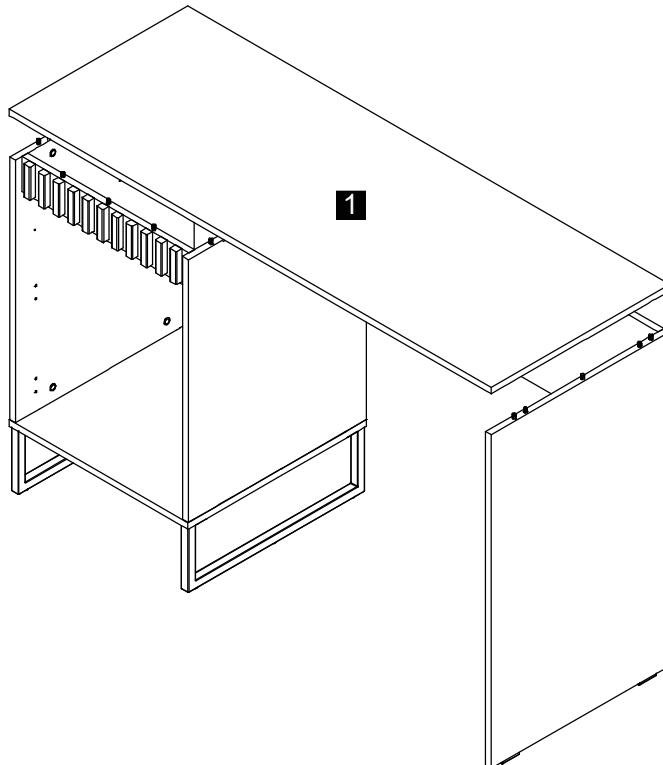
08



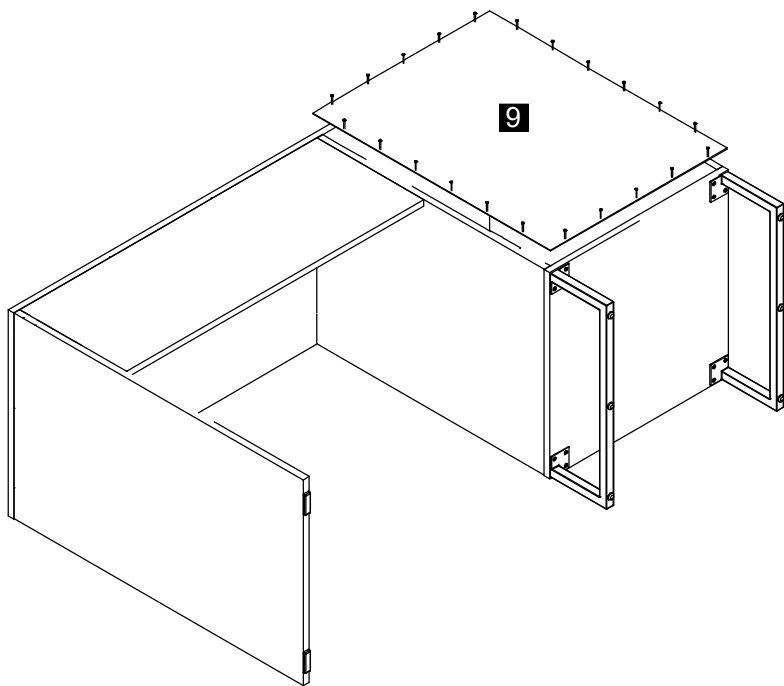
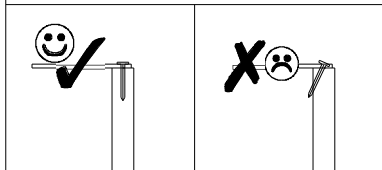
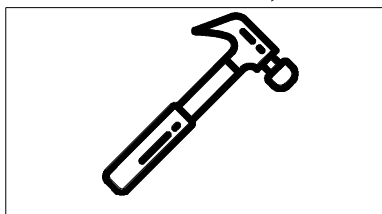
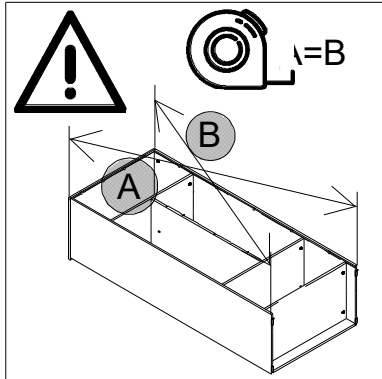
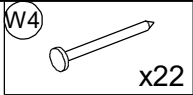
09



10



# 11



# 12

